



satin st. steel 71

The model **Soho** ER57 was developed in collaboration with the product designer Itamar Harari. The challenge was to design the door handles in such a way that the rose becomes invisible. The goal; to merge the door handle and the rose into one unit. The Soho ER57 model exhibits clear edges with rounded elements. This balanced interplay of forms allows the door handle to rest ergonomically in the hand.

In addition, this model is available on a 3-part Rose in round and square versions, as well as in the colours satin stainless steel and cosmos black.

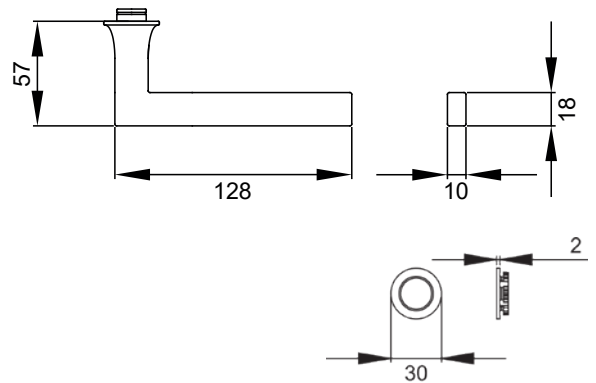


polaris white 84



cosmos black 83

SOHO ER57, on Mini-Rose



LEVER SETS FOR STANDARD DOORS

FINISH: SATIN ST. STEEL (71), COSMOS BLACK (83) AND POLARIS WHITE (84)
 MATERIAL: STAINLESS STEEL

- nylon plain bearing
- invisibly attached
- 8 mm square spindle with eccentrically drilled hole
- standard door thickness: from 38 mm
- plug-in connection

REF. KARCHER:

- ER57M OS 71/83/84 (without escutcheon)
- ER57M BB0 71/83/84 (supplied with lever key escutcheons)
- ER57M PZ0 71/83/84 (supplied with euro profile escutcheons)
- ER57M BAD 71/83/84 (supplied with bathroom turn/release set)

In addition, this model is available on a 3-part Rose in round and square versions, as well as in the colours satin stainless steel and cosmos black.

EZ140 PZ 71



EZ140 BB 71



EZ140 BAD 71



EZ140 PZ 83



EZ140 BB 83



EZ140 BAD 83



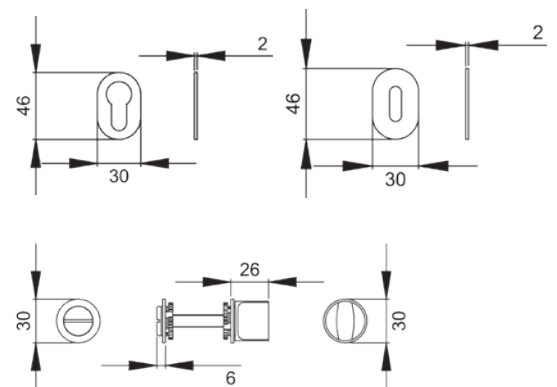
EZ140 PZ 84



EZ140 BB 84



EZ140 BAD 84



KARCHER

DESIGN