



satin st. steel 71

The model **Brooklyn** ER59 was developed in collaboration with the product designer Itamar Harari. The decisive factor for the design of the Brooklyn ER59 door handle model was the objective of „invisibility“ for both the rose and the door handle. The door handle has a narrow design, stretching out flat towards the back at the door. Looking at the door handle from a distance of approx. 3m, only a narrow line is visible. The door handle is thus barely visible, and its presence in the room is reduced to a minimum.

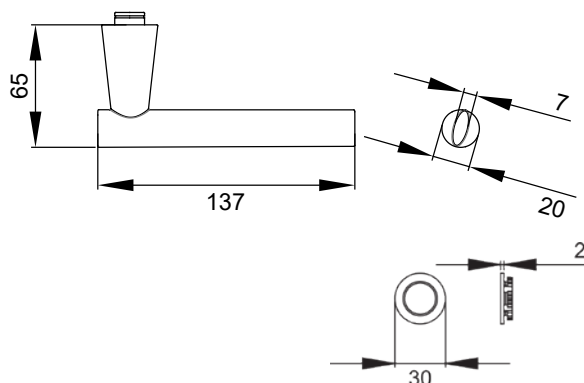


polaris white 84



cosmos black 83

BROOKLYN ER59, on Mini-Rose



LEVER SETS FOR STANDARD DOORS

FINISH: SATIN ST. STEEL (71), COSMOS BLACK (83) AND POLARIS WHITE (84)
 MATERIAL: STAINLESS STEEL

- nylon plain bearing
- invisibly attached
- 8 mm square spindle with eccentrically drilled hole
- standard door thickness: from 38 mm
- plug-in connection

REF. KARCHER:

- ER59M OS 71/83/84 (without escutcheon)
- ER59M BB0 71/83/84 (supplied with lever key escutcheons)
- ER59M PZ0 71/83/84 (supplied with euro profile escutcheons)
- ER59M BAD 71/83/84 (supplied with bathroom turn/release set)

EZ140 PZ 71



EZ140 BB 71



EZ140 BAD 71



EZ140 PZ 83



EZ140 BB 83



EZ140 BAD 83



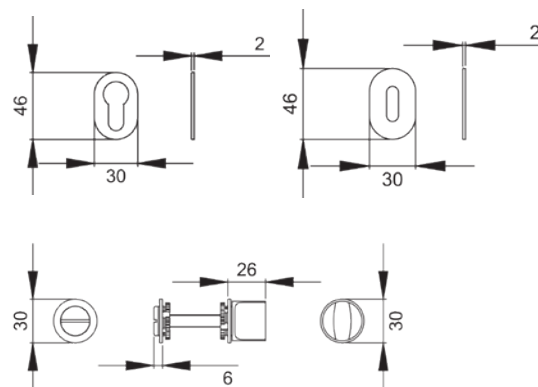
EZ140 PZ 84



EZ140 BB 84



EZ140 BAD 84



KARCHER

DESIGN